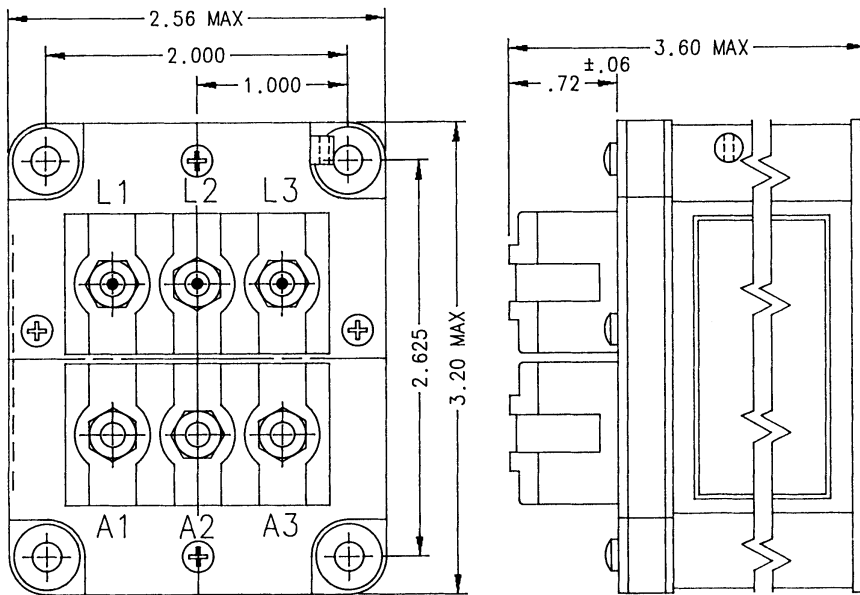


AVR-869C SPDT, 28 VAC

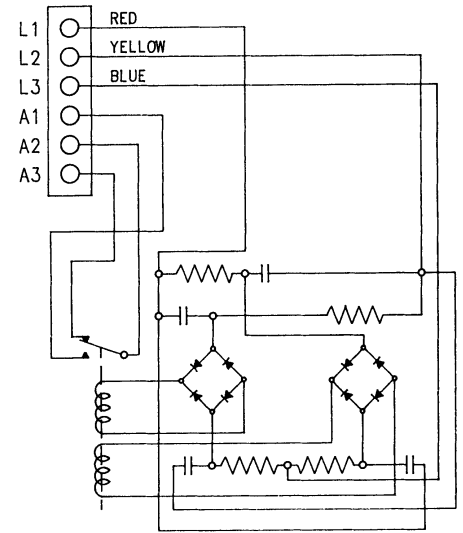
Features:

- 3 Phase Sequence Relay
- SPDT Main Contacts
- AC Coil
- 28 VDC
- High Reliability
- Meets many requirements of MIL-R-6106



Dimensions for this product are expressed in inches. Multiply values by 25.4 for millimeters.

CONTACTOR CONFIGURATION



Notes:

PRODUCT SPECIFICATIONS	
Construction	Gasket Sealed, Vented
Pick-Up Phase Sequence, L1, L2, L3; Balanced Phase Voltages, 80-95 volts L to N.	
Pick-Up Phase Sequence, L1, L3, L2; Not possible at any voltage.	
Pick-Up One or More Open Phases; L to N voltage on remaining phase(s) in excess of 250 volts.	
Drop-Out Simultaneous Phase; Decrease in voltage; before L to N voltage reaches 50 volts.	
Drop-Out Voltage on 2 Phases remaining normal. Other phase voltage decreasing; before L to N voltage on this phase reaches 5 volts.	
Nominal Rating	208V, 400 Hz AC
Weight Maximum	1 Lb.
Stamped	"Danger High Voltage" on Terminal Covers

For factory-direct application assistance, contact the HARTMAN product team at (419) 521-9500, Fax (419) 526-2749.

© 2004 by Tyco Electronics Corporation. All Rights Reserved. HARTMAN and TYCO are trademarks.